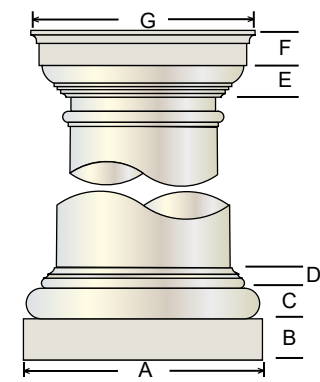
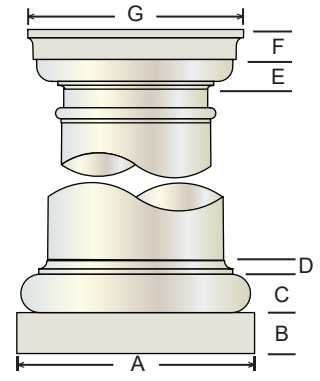


All caps, bases, and ornamental capitals are manufactured of low-maintenance materials. Materials for caps and bases will vary based on size and style. Standard Tuscan caps and bases for our 8", 10", and 12" diameter round tapered columns are our new TimeSaver ABS (recycled ABS with fiberglass reinforcement). Since these are molded products, specifications shown are ± 1/8", and subject to change without notice.

### TUSCAN CAPS AND BASES

Column diameter	Tuscan Base					Tuscan Cap					Materials available †
	Plinth		Torus			Echinus (E)	Abacus		Total height (E-F)		
	(A)	(B)	(C)	(D)	(B-D)		(F)	(G)			
6"	8"	1 1/2"	1 1/4"	1/2"	3 1/4"	1"	1 1/16"	7 1/2"	2 1/16"	<u>P, D</u>	
8"	10 7/8"	1 7/8"	1 3/4"	5/8"	4 1/4"	1 5/16"	1 3/8"	9 7/8"	2 11/16"	A, F, D, P	
10"	13 1/2"	2 3/8"	2 1/8"	3/4"	5 1/4"	1 13/16"	1 3/4"	12 1/8"	3 9/16"	A, F, D, P	
12"	16 1/4"	2 3/4"	2 3/8"	7/8"	6"	1 7/8"	2"	14 5/8"	3 7/8"	A, F, D, P	
14"	18 3/8"	3 5/16"	3"	1"	7 5/16"	2 1/2"	2 5/16"	17"	4 15/16"	<u>P, D</u>	
16"	21 5/16"	3 7/8"	3 3/8"	1 1/8"	8 5/16"	2 3/4"	2 11/16"	19 1/8"	5 7/16"	<u>P, D</u>	
18"	24"	4 3/16"	4"	1 3/8"	9 9/16"	3"	2 15/16"	21 5/16"	5 15/16"	<u>P, D</u>	
20"	27"	4 3/4"	4 1/16"	1 3/4"	10 9/16"	3 1/8"	3 7/16"	24 1/4"	6 9/16"	<u>P, D</u>	
24"	32 1/2"	5 3/4"	5 1/4"	2 1/4"	13 1/4"	3 9/16"	4 1/8"	28 3/4"	7 1/16"	<u>P, D</u>	

† A-ABS TimeSaver, F-FRP, D-DuraStone™, P-Polyurethane cap with FRP base; standard material is underlined



### ROMAN DORIC CAPS

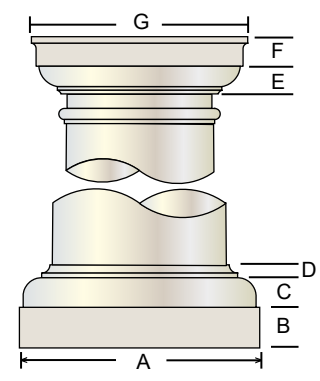
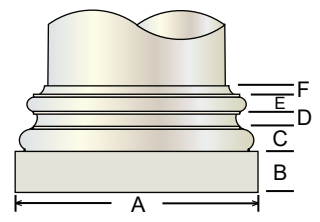
Column diameter	Roman Doric Base †					Roman Doric Cap †				
	Plinth		Torus			Echinus (E)	Abacus		Total height (E-F)	
	(A)	(B)	(C)	(D)	(B-D)		(F)	(G)		
6"	7 3/32"	1 1/2"	1"	3/4"	3 1/4"	1"	1 1/4"	8"	2 1/4"	
8"	10 7/8"	1 7/8"	1 7/16"	15/16"	4 1/4"	1 7/16"	1 1/2"	10 1/4"	2 15/16"	
10"	13 1/2"	2 3/8"	1 3/4"	1 1/4"	5 3/8"	1 7/8"	1 3/4"	13"	3 5/8"	
12"	16 1/8"	2 3/4"	2 1/16"	1 3/8"	6 3/16"	2 1/8"	2 3/8"	15 1/8"	4 1/2"	
14"	18 3/4"	3 3/8"	2 3/8"	1 5/8"	7 3/8"	2 11/16"	2 3/4"	17 13/16"	5 9/16"	
16"	21 1/2"	3 7/8"	2 7/8"	2"	8 3/4"	3 3/16"	3 1/8"	20 5/16"	6 5/16"	
18"	24"	4 1/8"	3 5/16"	2 3/8"	9 13/16"	3 1/2"	3 9/16"	22 7/16"	7 1/16"	

† Bases are FRP, caps are polyurethane. Only the bases are available in DuraStone™-not the caps.

### OPTIONAL ATTIC BASES

Column diameter	Plinth		Torus				Total height (B-F)
	(A)	(B)	(C)	(D)	(E)	(F)	
6"	8"	1"	3/4"	3/4"	1/2"	1/2"	3 1/2"
8"	10 7/8"	1 7/8"	1 1/8"	7/8"	3/4"	1/2"	5 1/8"
10"	13 1/2"	2 3/8"	1 1/4"	1 1/8"	7/8"	5/8"	6 1/4"
12"	16 1/8"	2 3/4"	1 1/2"	1 3/8"	1"	5/8"	7 1/4"
14"	18 1/2"	3 5/16"	1 3/4"	1 5/8"	1 1/4"	11/16"	8 21/32"
16"	21 3/16"	3 3/4"	2 1/8"	1 7/8"	1 1/2"	13/16"	10 1/8"
18"	23 15/16"	4 1/4"	2 5/16"	2 1/8"	1 7/16"	1 1/8"	11 1/4"
20"	27 1/16"	4 3/4"	2 11/16"	2 3/8"	1 3/4"	1 7/16"	13"
24"	32 1/2"	5 3/4"	3 5/16"	2 13/16"	2 1/8"	1 3/4"	15 3/4"

Attic bases are FRP. Also available in DuraStone™.



### BUILDERS SERIES CAPS AND BASES

Column diameter	Builders Series Base †					Builders Series Cap †			
	Plinth		Torus			Echinus (E)	Abacus		Total height (E-F)
	(A)	(B)	(C)	(D)	(B-D)		(F)	(G)	
8"	10 7/8"	1 7/8"	1 1/4"	5/8"	3 3/4"	1 1/4"	1 1/4"	9 7/16"	2 1/2"
10"	13 1/2"	2 3/8"	1 5/8"	9/16"	4 9/16"	1 13/16"	1 3/4"	12 3/16"	3 9/16"
12"	16 1/4"	2 3/4"	2"	7/8"	5 5/8"	1 7/8"	2"	14 5/8"	3 7/8"

† Cap and base are polystyrene (with foam core). Not available in DuraStone™.